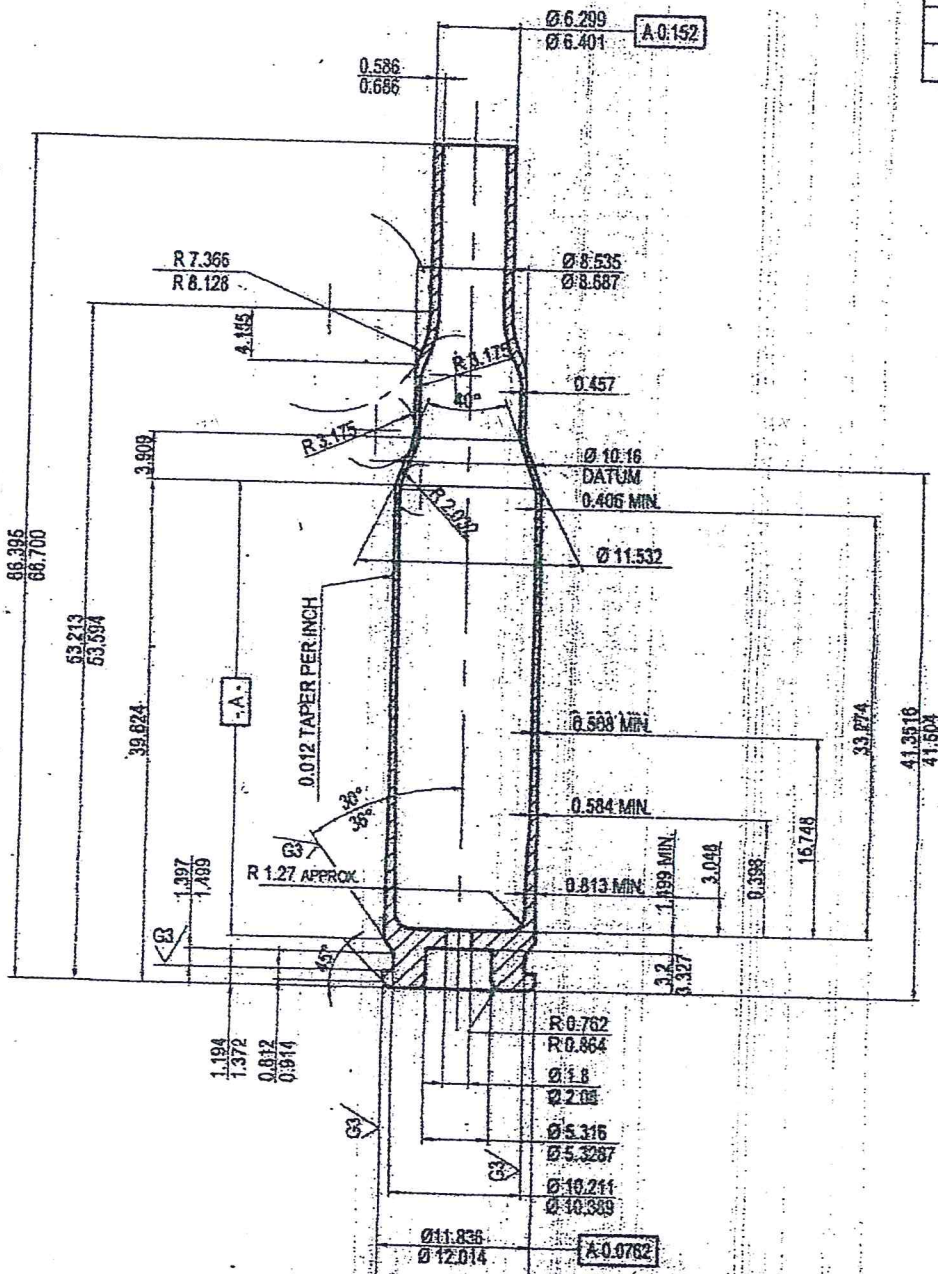


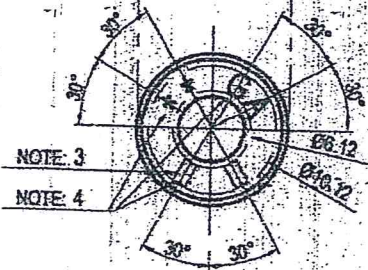
TOLERANCE For:

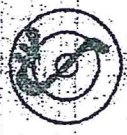
Decimals	Angles
±0.127	±0° 30'



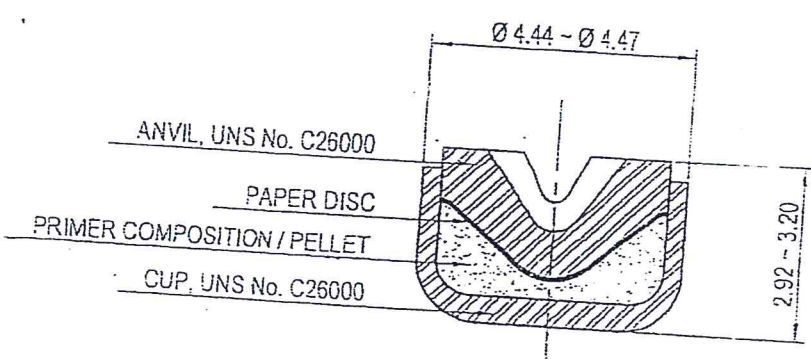
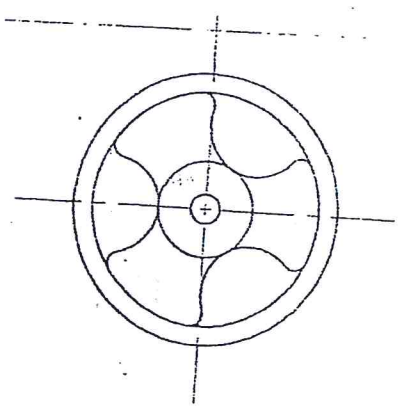
NOTES:

1. DIMENSIONS GIVEN TO INTERSECTION OF LINES
2. REFERENCE WITH MAX. DIAMETERS
3. STAMP LAST TWO FIGURES OF YEAR OF MANUFACTURE
4. FONT: ARIAL NARROW, SIZE: HEIGHT 2.0 MM  
ASTERISK FONT: ARIAL NARROW, SIZE: HEIGHT 1.2 MM
5. STAMPING MUST BE LEGIBLE AND NOT ENCROUGH ON THE PRIMER GRIP OR THE HEAD BEVEL
6. THIS DRAWING IS FOR PROCUREMENT PURPOSES ONLY.

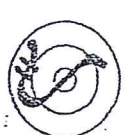


FINISHED CASE, BLANK		COPPER ALLOY No. C260 ANNEALED, SPEC MIL-C-50	
QTY	DESCRIPTION	PART NO	MATERIAL
DRAWN	<i>J.C. Cabanilla</i> J.C. CABANILLA	Date: SEPT. 28, 2015	 Republic Of The Philippines Department of National Defense <b>GOVERNMENT ARSENAL</b> Camp General Antonio Luna Lamao, Limay, Bataan
DESIGNED		Date:	
CHECKED	<i>S.K. Paglio</i> ENGR. S.K. PAGLIO	Date: Sept 28 2015	
Recommend Approval	<i>V. D. Mones</i> ENGR. VICTORINO D. MONES ACTING SUPT., ED	Date: 30 SEPT 15	
Approved by:	<i>J. C. Martir</i> JONATHAN C. MARTIR DIRECTOR	Date:	
TITLE: FINISHED CASE, GA762400			Scale:
			Dimension: MM
			Dwg. No. GCB-101-01
			Sht. No. 1 / 1

TOLERANCE		TO UNSPECIFIED TOLERANCES		
>0 TO 6	>6 TO 30	>30 TO 120	>120 TO 315	>315 TO 1000
±0.1	±0.2	±0.3	±0.5	±0.8



SENSITIVITY, MM:  
 H +5S : ≤ 350  
 H -2S : ≥ 75

DRAWN	<i>J.C. Cabanilla</i> J.C. CABANILLA	Date:	AUG. 04, 2014	 Republic Of The Philippines Department of National Defense <b>GOVERNMENT ARSENAL</b> Camp General Antonio Luna Lamao, Limay, Bataan	Scale:	1 : 1
DESIGNED		Date:			Dimension:	MM
CHECKED	<i>S.K.C. Paguio</i> ENGR. S.K.C. PAGUIO	Date:	Aug 5 '14	TITLE:  <b>SMALL PISTOL PRIMER</b>	Dwg. No.	NPC-301-03
Recommend Approval:	<i>V. Mones</i> ENGR. VICTORINO D. MONES ACTING SUPT. ED	Date:	05 AUG 14		Sht. No.	1
Approved by:	<i>J. Martir</i> JONATHAN C. MARTIR DIRECTOR	Date:			Of	1